

REV	DESCRIPTION	DATE	APPROVED
P	33862 FIND NO 12 52516-01T REMOVED. CONNECTOR REF ADDED. KEYWAY RELOCATED. FIND NOS 14 & 15 ADDED.	97/10/06	RS
R	42133 EVAC TUB RELOCATED. CON. WAS MS83723-80-162AN, 1500 HZ WAS 500 ON VIB. REF WAS GEN DYNAMICS	00/03/01	RS
T	11-019598 ADDED ITEM 16	11/04/12	CB
U	14-019365 ITEM 7 WAS 50407-014 NUT; ITEM 11 WAS AN9358416	14/12/29	MDM

HERMETICALLY SEALED

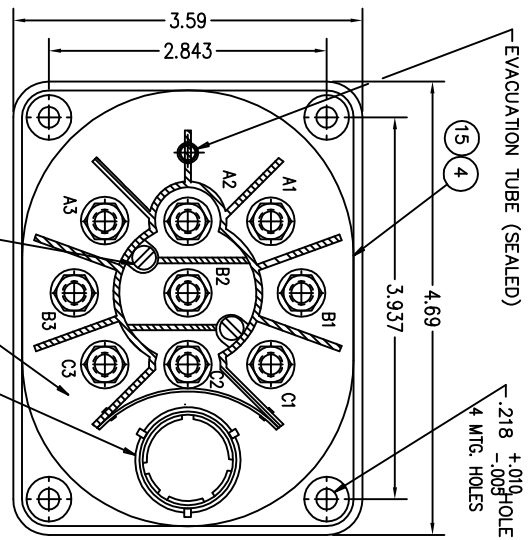
3 PDT CENTER OFF LATCHING
115/200 VAC 400 HZ

120 AMPS
120 AMPS
80 AMPS
1000 AMPS
800 AMPS

6 PDT
28 VDC OR 115 VAC 400 HZ
5 AMPS
5 AMPS
1 AMP

AUXILIARY CONTACTS
CONFIGURATION
VOLTAGE (NOMINAL)
CURRENT RESISTIVE
INDUCTIVE
MOTOR
RUPTURE
OVERLOAD

CONSTRUCTION
MAIN CONTACTS
VOLTAGE NOMINAL
CURRENT RESISTIVE
INDUCTIVE
MOTOR
RUPTURE
OVERLOAD



AUXILIARY CONTACTS
CONFIGURATION
VOLTAGE (NOMINAL)
CURRENT RESISTIVE
INDUCTIVE
LAMP

LIFE ELECTRICAL
LIFE MECHANICAL

COIL DATA
DUTY CYCLE
MAX. OPERATE VOLTAGE
MIN. OPERATE VOLTAGE

COIL CURRENT
TRIP CURRENT
OPERATING TIME

TRANSFER TIME MAX.

ENVIRONMENTAL DATA
AMBIENT TEMPERATURE
VIBRATION, SINE

ACCELERATION
SHOCK
ALTITUDE
WEIGHT, MAX.

CONTINUOUS
30VDC
18VDC

0.215 AMP MAX AT 25°C AND 28VDC (EA. COIL)
0.250 AMP MAX AT 25°C AND 28VDC
(AT ROOM TEMPERATURE AND 28 VDC)

35 MILLISECONDS

50,000 CYCLES MIN.
100,000 CYCLES MIN.

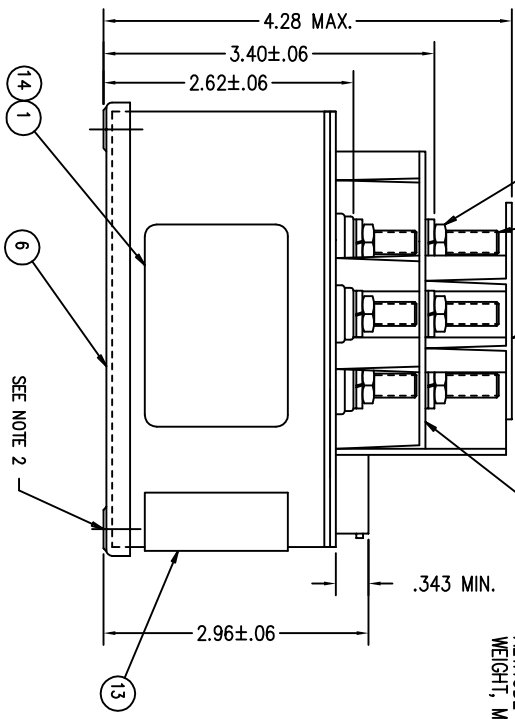
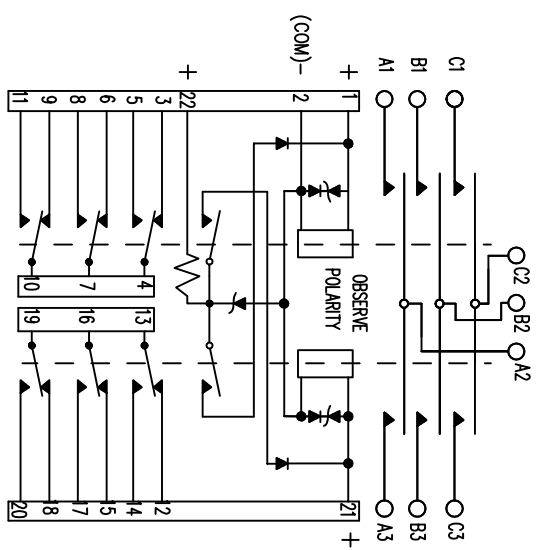
35 MILLISECONDS

35 MILLISECONDS

35 MILLISECONDS

—55°C TO 71°C
.06 INCH DA FROM 10 TO 60 HZ
10 G'S FROM 60 TO 1500 HZ
10 G'S
15 G'S MAX FOR 11 MS ±1
60,000 FEET MAX.
2 LBS. 10 OZ.

CONFIGURATION CONTROLLED



NOTE:

1. APPLY VOLTAGE TO +1 -2 ONLY, CLOSES A1, B1, C1 FROM ANY POSITION. APPLY VOLTAGE TO +21 -2 ONLY, CLOSES A3, B3, C3 FROM ANY POSITION. APPLY VOLTAGE TO +22 -2 ONLY, RETURNS TO CENTER OFF POSITION FROM EITHER POSITION.
2. FOUR MFG. HOLES SHALL BE PAINT-FREE ON BOTH SIDES OF THE MOUNTING FLANGE FOR GROUNDING PURPOSES.
3. COIL TRANSFER VOLTAGE LIMITED TO ±50 VOLTS REFERENCED TO ZERO VOLTS.

FIND NO	QTY	PART OR IDENTIFYING NO	NOMENCLATURE OR DESCRIPTION	FCOM NO	DRAWING OR SPECIFICATION	MATERIAL OR NOTE
16	9	51703-070	FLAT WASHER			
15	1	39529-008	OVERLAY-WIRING DIAGRAM			
14	1	39529-001	OVERLAY-NAMEPLATE			
13	1	17959-001	PLATE - WARNING			
12						
11	9	51807-034	WASHER-LOCK 1/4 SPLIT		MS35338-101	BRONZE
10	2	51805-011	WASHER-#5 SPLIT, LOCK			BRONZE
9	2	51205-411	SCREW-5-40 X 1 3/8 RD.HD.			STEEL
8	2	51701-180	WASHER-.015 X .103 X 3/16			MYLAR
7	9	50407-364	NUT-1/4 X 7/16 X 3/16 HEX		MS35650-3255	BRASS
6	1	33462-010	CONTACTOR ASSEMBLY - PRIMARY			
5	1	19689-010	TERMINAL SHIELD ASSEMBLY			
4	1	33470-001	PLATE-WIRING DIAGRAM			
3	1	18345-003	PLATE-BASE COVER			
2	1	17540-001	SHIELD-TERMINAL TOP			
1	1	41073-001	PLATE - NAME			

UNLESS OTHERWISE SPECIFIED DIMENSIONS ARE IN INCHES TOLERANCES IN ANGLES

2 PL DEC. 3 PL DEC.

DR BY RLS 00/04/26
CHK BY RS 00/04/26
ENGR MRR 00/05/01
MFG CC 00/05/02

SIZE CODE IDENT
C 74063

SCALE NONE SHEET

Hot from the Division
175 N. DIAMOND STREET
MANSFIELD, OHIO 44902

CONTACTOR-3PDT CENTER OFF
LATCHING 120 AMP, 400HZ 28VDC
COIL

DWG NO. DHL-31

REF TE P/N 1616050-7