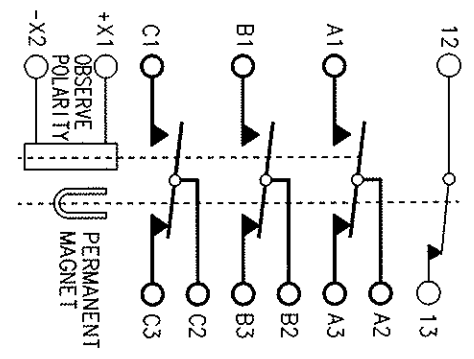
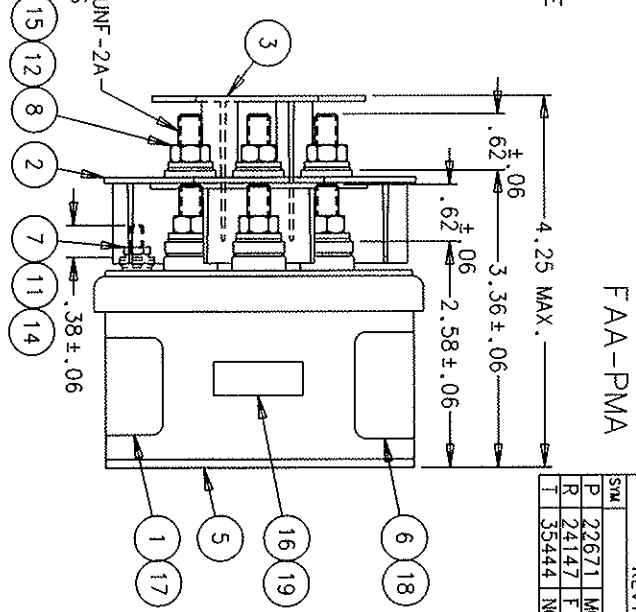
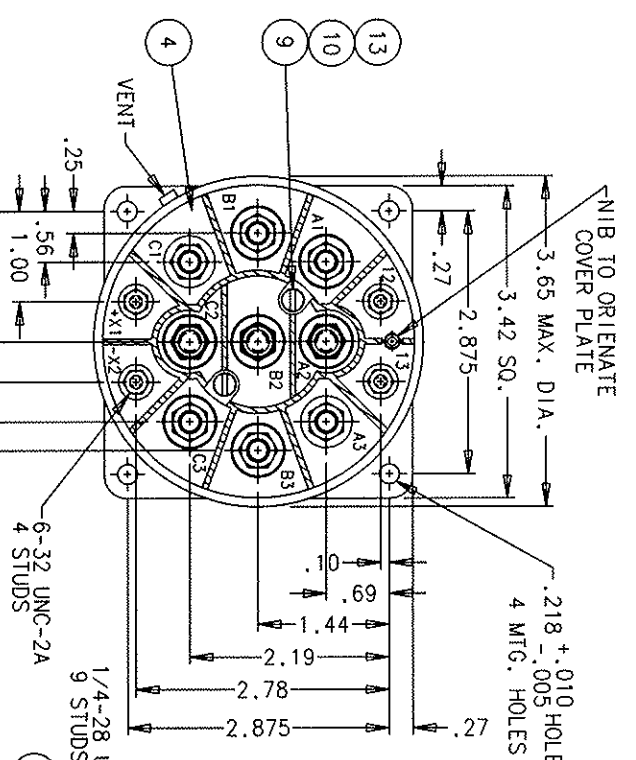


FAA-PMA

REV.	DATE	APPROVED
1	93/02/16	WS
2	93/06/28	WS
3	98/05/04	WS



- NOTES:
1. MOUNTING SURFACE SHALL PROVIDE ELECTRICAL GROUND.
 2. FAA/PMA PLATE (AND OVERLAY) NOT REQUIRED ON UNITS SUPPLIED TO ORIGINAL EQUIPMENT MANUFACTURERS.

CONSTRUCTION
 MAIN CONTACTS
 CONFIGURATION
 VOLTAGE (NOMINAL)
 CURRENT
 IND.
 AUXILIARY CONTACTS
 COIL DATA
 DUTY CYCLE
 OPERATING VOLTAGE
 PICKUP

GASKET SEALED

3PDT
 115/200 VAC, 400 HZ.
 100 AMP
 100 AMP
 SPST NC 5 AMP RES. 28 VDC

CONTINUOUS
 28 VDC
 18 VDC MAX AT 71°C

DROPOUT
 7 +0
 -5.5 VDC

RESISTANCE
 ENVIRONMENTAL DATA
 OPERATING TEMP.,
 VIBRATION
 ALTITUDE
 LIFE ELECTRICAL
 WEIGHT MAX.
 MAX. INTER.

175 OHMS ±20% AT 25°C
 -55°C TO +71°C
 AR
 50,000 FT. MAX.
 50,000 CYCLES MIN.
 2 LBS. 5 1/2 OZ.
 600 AMPS

REV	QTY	PART OR IDENTIFYING NO	NOMENCLATURE OR DESCRIPTION	F304 NO	DRAWING OR SPECIFICATION	MATERIAL OR NOTE
19	1	39529-047	OVERLAY			
18	1	39529-009	OVERLAY			
17	1	39529-025	OVERLAY			
16	1	58400-036	PLATE - FAA/PMA			
15	9	51807-034	WASHER LOCK 1/4 SPLIT			AN935B416 BRONZE
14	4	51806-034	WASHER LOCK NO. 6 SPLIT			AN935B6 BRONZE
13	2	51805-011	WASHER LOCK NO. 5 SPLIT			AN935B5 BRONZE
12	9	51703-064	WASHER 1/2 X 1/64 X .032 FLAT			AN960B416 BRASS
11	4	51702-204	WASHER 3/8 X 9/64 X .032 FLAT			AN906B-6 BRASS
10	2	51701-180	WASHER .015 X .103 X 3/16			MYLAR
9	2	51205-411	SCREW 5-40 X 1 3/8 RD. HD.			STEEL
8	9	50407-074	NUT 1/4-28 X 3/8 X 3/16 HEX.			BRASS
7	4	50406-034	NUT 6-32 X 1/4 X 5/64 HEX.			BRASS
6	1	26011-001	PLATE - WIRING DIAGRAM			
5	1	20074-070	CONTACTOR ASSEMBLY - PRI.			
4	1	17542-018	PLATE - BASE COVER			
3	1	17540-001	SHIELD - TERMINAL, TOP			ZYTEL
2	1	17539-001	SHIELD - TERMINAL			ZYTEL
1	1	16043-050	PLATE - NAME			

UNLESS OTHERWISE SPECIFIED DIMENSIONS ARE IN INCHES	UNLESS OTHERWISE SPECIFIED DIMENSIONS ARE IN INCHES
2 PL DEC. 3 PL DEC. ANGLES	2 PL DEC. 3 PL DEC. ANGLES
±.03 ±.010 ±.1°	±.03 ±.010 ±.1°

SIZE	CODE	IDENT	DRWG. NO.
C	74063		D-25BD