

REV	DESCRIPTION	DATE	APPROVED
R	23615 DELETE ITEM 11; ADD REF...CONNECTOR NOTE	93/5/11	
T	26518 FIND NO 8 PART NO WAS 51704-730	94/10/24	RS
U	44746 ITEM 12 WAS 51704-025	01/05/31	

CONSTRUCTION
GASKET SEALED & VENTED

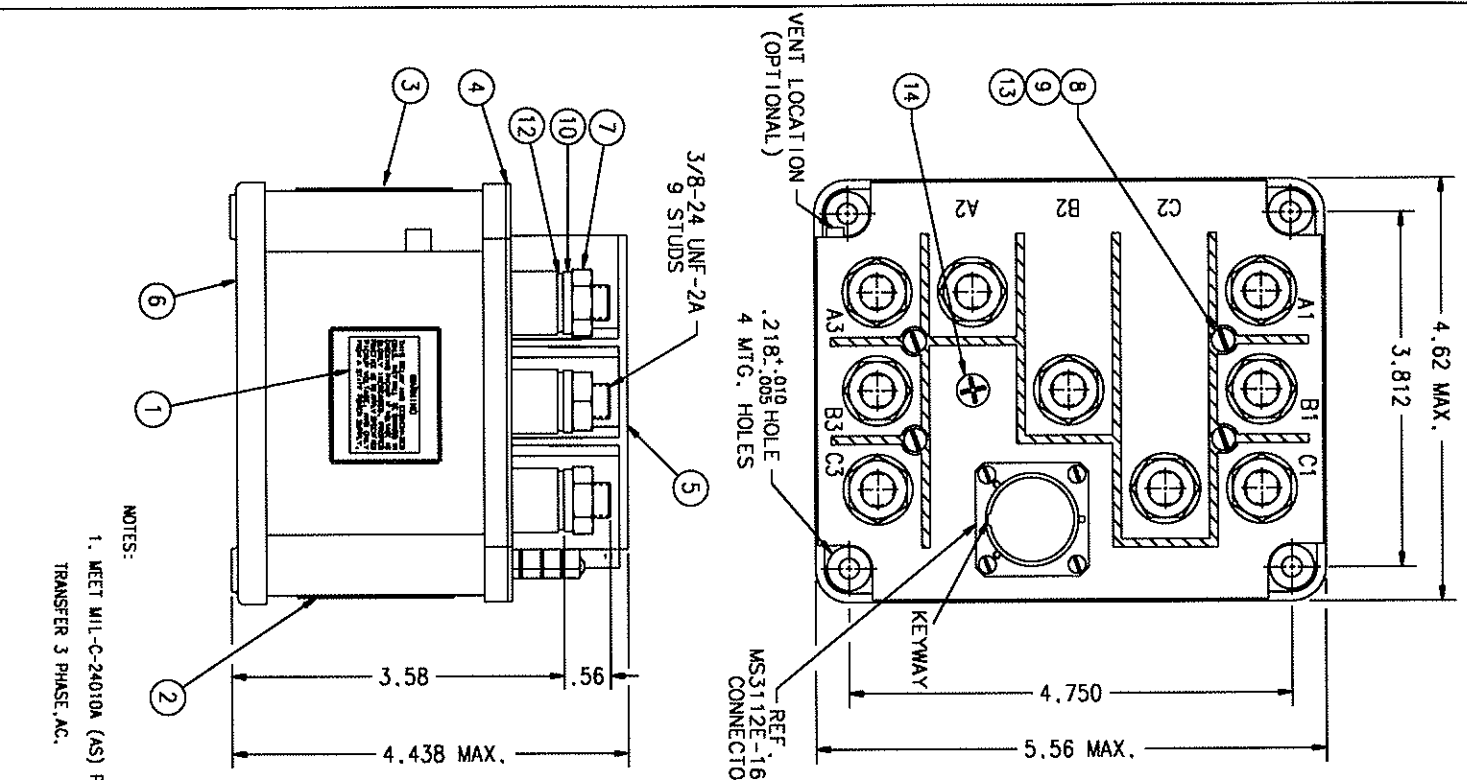
MAIN CONTACTS CONFIGURATION
 VOLTAGE: 115/200 VAC 400HZ
 CURRENT: RES. 250 AMP
 IND. MOTOR 175 AMP
 2500 AMP

AUX. CONTACTS CONFIGURATION
 VOLTAGE: 28 VDC.
 CURRENT: RES. 5 AMP
 IND. LAMP 2 AMP

COIL DATA
 DUTY CYCLE: CONTINUOUS (ECONOMIZING)
 NOM. COIL VOLTAGE: 18 TO 30 VDC
 PICKUP MAX. 18 VDC
 DROPOUT VOL. TAGE: 7 VOLTS TO 1 VOL T
 RESISTANCE HOLD: 48.5±20% AT 25°C
 INRUSH: 4.5 OHM±20% AT 25°C
 CURRENT HOLD: 0.7 AMP MAX. AT 25°C
 INRUSH: 6 AMP MAX. AT 25°C

ENVIRONMENTAL DATA
 AMBIENT TEMP: -70°C TO 71°C MAX
 VIBRATION: .06 INCH DA FROM 5 TO 55 HZ
 SHOCK: 10 G'S FROM 55 TO 500 HZ
 ACCELERATION: 25 G'S FOR 6 TO 9 M SEC.
 ALTITUDE: 15 G'S
 50,000 FEET MAX.

ENVIRONMENTAL DATA
 AMBIENT TEMP: -70°C TO 71°C MAX
 VIBRATION: .06 INCH DA FROM 5 TO 55 HZ
 SHOCK: 10 G'S FROM 55 TO 500 HZ
 ACCELERATION: 25 G'S FOR 6 TO 9 M SEC.
 ALTITUDE: 15 G'S
 50,000 FEET MAX.



NOTES:
 1. MEET MIL-C-24010A (AS) PARA. 4.6.15.1 LOAD TRANSFER 3 PHASE AC.

FIND NO	QTY	PART OR IDENTIFYING NO	NOMENCLATURE OR DESCRIPTION	FSM NO	DRAWING OR SPECIFICATION	MATERIAL OR NOTE
14	4	51200-141	SCREW-3/16 SHEET METAL			STEEL
13	4	20384-002	WASHER-CAPITIVATING			BRASS
12	9	51704-024	WASHER-FLAT 5/8 X 25/64 X .062			BRASS
11	9	51807-084	WASHER-LOCK 3/8 X .688 X .094 SPLIT			BRONZE
10	4	51804-011	WASHER-LOCK NO. 4			BRONZE
8	4	51214-030	SCREW-4-40 X 1 1/4 RD HD.			ST. STEEL
7	9	50407-164	NUT 3/8-24 X 5/8 X 7/32 HEX.			BRASS
6	1	32252-010	CONTACTOR ASSEMBLY-PRIMARY			
5	1	29805-002	SHIELD-TERMINAL			
4	1	32125-001	PLATE-BASE COVER			
3	1	32127-001	PLATE-WIRING DIAGRAM			
2	1	16043-001	PLATE-NAME			
1	1	12771-001	PLATE-WARNING			

UNLESS OTHERWISE SPECIFIED DIMENSIONS ARE IN INCHES TOLERANCES ON

2 PL DEC. ± .010 ± .1°

DR BY CSC 01/06/11
 CHK BY JVA 01/06/11
 ENGR JVA 01/06/11
 MFG JVA 01-06-11
 RELEASE JVA 01-06-11
 CONTR NO.
 GOVT APPV

HARTMAN @ MANSFIELD, OHIO

CONTACTOR-3PDT SIDE STABLE;
 250 AMPS, 115/200V. 400HZ.
 093

SIZE CODE IDENT DWG NO.
 C 74063 B-394

SCALE NONE SHEET

