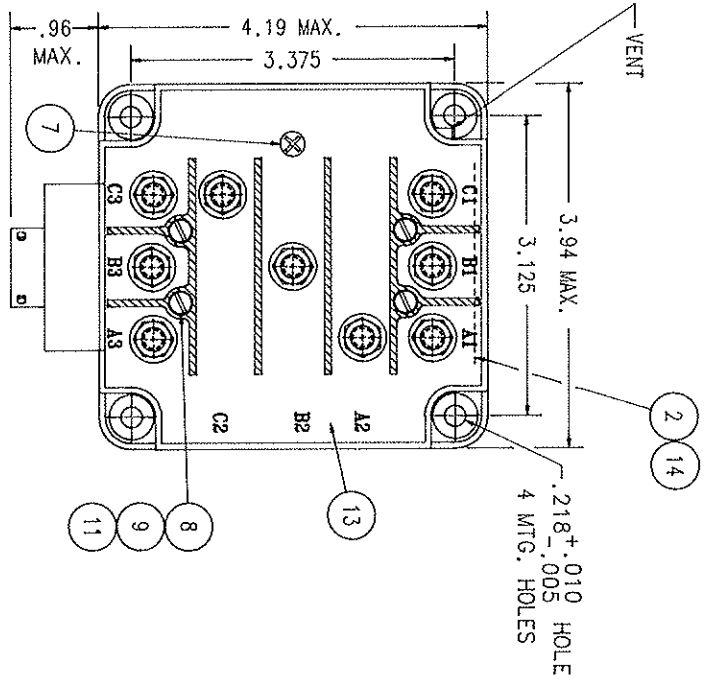


REV.	DESCRIPTION	DATE	APPROVED
G	23455 ITEM 13 WAS -52516-0077 ADD CONNECTOR REF.	93/04/27	WS
H	33420 FIND NOS 14 & 15 ADDED	97/08/04	WS

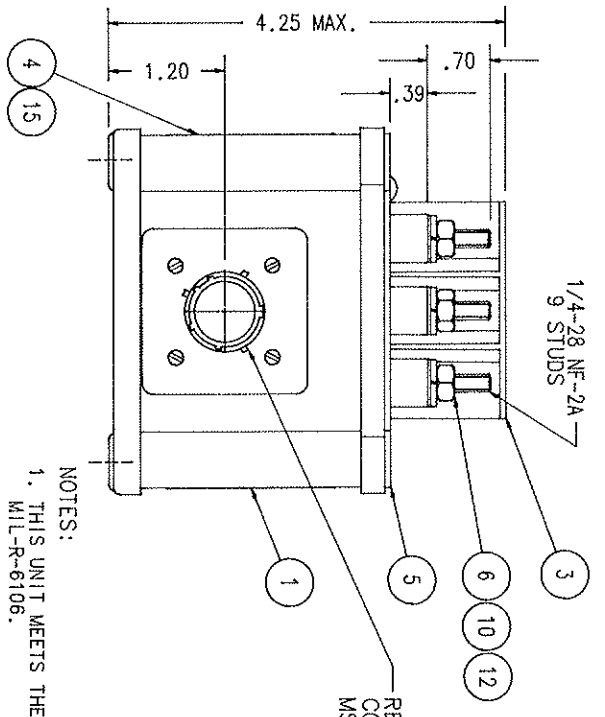


CONSTRUCTION
MAIN CONTACTS
CONFIGURATION
VOLTAGE
CURRENT
RES:
IND:
INTERR:
AUXILIARY CONTACTS
CONFIGURATION
VOLTAGE
CURRENT
RES:
IND:
LAMP:

COIL DATA
DUTY CYCLE
OPER. COIL VOL.T.
PICKUP MINIMUM
DROPOUT VOLTAGE
LIFE ELECTRICAL
MECHANICAL

ENVIRONMENTAL DATA
OPERATING TEMP.
VIBRATION
TRANSFER TIME

SHOCK
ACCELERATION
ALTITUDE
MAX. WEIGHT



NOTES:
1. THIS UNIT MEETS THE APPLICABLE PORTIONS OF MIL-R-6106.
2. MECH. INTERLOCK PREVENTS SIMULTANEOUS CLOSING OF BOTH SETS OF CONTACTS.
3. *DANGER HIGH VOLTAGE* TO BE STAMPED ON TERMINAL SHIELD.
4. ALL UNITS AFTER SERIAL NO. C-3-54900 SHALL HAVE THE LETTER 'A' AT THE END OF THE SERIAL NO.

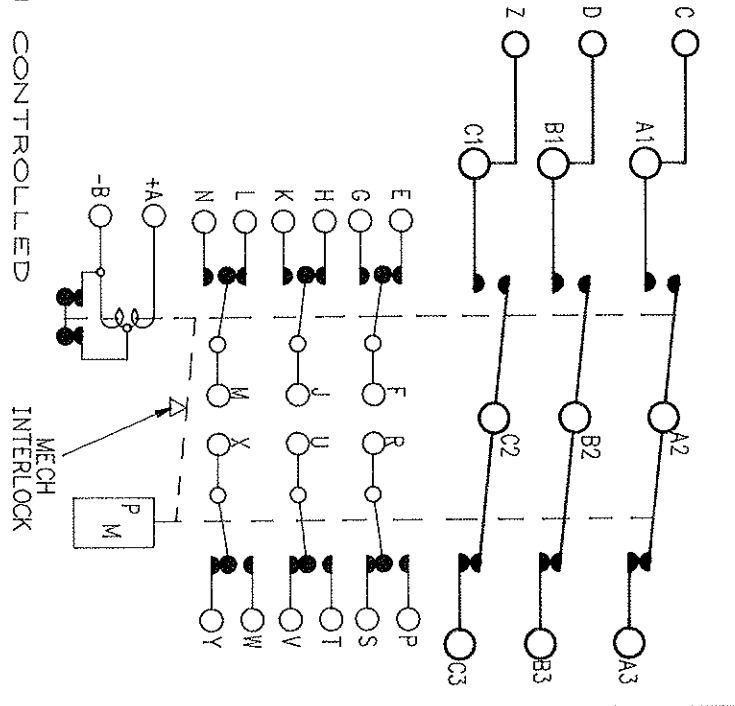
GASKET SEALED AND VENTED
3 PDT SIDE STABLE
115/200 VOLTS FREQ. 400 HZ
120 AMP
840 AMP
6 PDT
28 VDC OR 115V 400 HZ
5 AMP
3 AMP
2 AMP

CONTINUOUS (ECONOMIZING)
28 VDC NOMINAL 30 VDC MAX.
18 VDC AT 71° C
7 VDC TO 1 VDC
50,000 CYCLES MIN.
100,000 CYCLES MIN.

-55° C TO 71° MAX.
PER RANGE CURVE
OF SPEC. ADZS205
15 MS MAX. AT 25.8 VDC

25 G'S FOR 6 TO 9 MSEC.
10 G'S MAX.
50,000 FEET MAX.
3 LBS. 3 OZ.

CONFIGURATION CONTROLLED



NO	QTY	PART OR IDENTIFYING NO	NOMENCLATURE OR DESCRIPTION	FSM NO	DRAWING OR SPECIFICATION	MATERIAL OR NOTE
15	1	39529-023	OVERLAY-WIRING DIAGRAM			
14	1	39529-001	OVERLAY-NAME PLATE			
13	1	36180-040	CONTACTOR ASSEMBLY - PRIMARY		AN935B416	BRASS
12	9	51807-034	WASHER - LOCK 1/4 SPLIT		AN935B51	BRASS
11	4	51805-011	WASHER - LOCK NO.5 SPLIT		AN960B416	BRASS
10	9	51703-064	WASHER - FLAT 1/2 X 11/64 X .032			
9	4	51701-180	WASHER - CAPTIVATING			
8	4	51205-391	SCREW - 5-40 X 1 1/8 RD. HD.		AN515-18	STEEL
7	1	51200-020	SCREW - NO.4 X 1/4 PAN HD.		AN345B416	S. STEEL
6	9	50407-074	NUT - 1/4-28 X 3/8 X 3/16 HEX.			
5	1	27136-001	PLATE - BASE COVER			
4	1	32214-001	PLATE - WIRING DIAGRAM			
3	1	26427-003	SHIELD - TERMINAL			ZYTEL 51
2	1	16043-001	PLATE - NAME			
1	1	12771-001	PLATE - WARNING			

REV.	DESCRIPTION	DATE	APPROVED
G	23455 ITEM 13 WAS -52516-0077 ADD CONNECTOR REF.	93/04/27	WS
H	33420 FIND NOS 14 & 15 ADDED	97/08/04	WS

DR BY	RLS	97/08/15
CHK BY	WS	97/08/15
ENGR	WS	97/08/15
MFG	WS	97/08/15
RELEASE		
CONTR NO.		
GOVT APPL		

SIZE	CODE IDENT	DWG NO.
C	74063	B-233P
SCALE	NONE	SHEET

HARTMAN ELECTRICAL MANUFACTURING
MANSFIELD, OHIO

CONTACTOR 3PDT, SIDE STABLE
120 AMP, 115/200V, 400 HZ

093