

REVISIONS		RELEASED	APPROVED
REV	DESCRIPTION	DATE	
D1	22869/REDRAWN TO CAEDS	93/02/22	WS
E1	23765/ADDED ITEMS 5 AND 6	93/05/27	WS
F1	33869/FIND NO 5 WAS QTY 3, P/N 35959-017/97/10/06	7-5	

CONSTRUCTION HERMETICALLY SEAL

CONTACT RATING RES 25A 115/200V 400HZ
MOT 15A 115/200V 400HZ

COIL RATING 28VDC
PICKUP 18V MAX HOT
DROPOUT 7V MAX HOT

RATED DUTY CONTINUOUS

VIBRATION MIL-E-5272 PROC 1

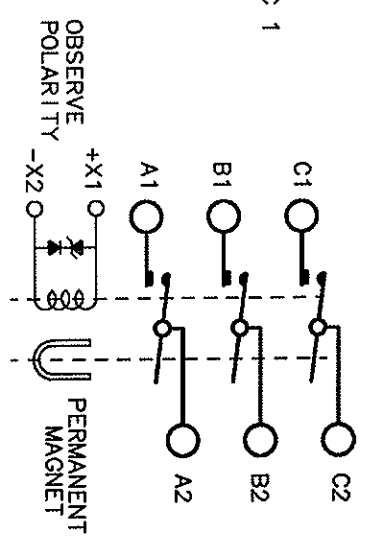
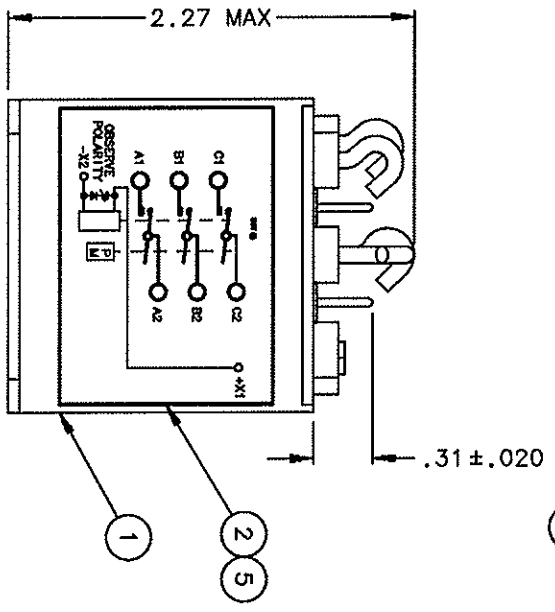
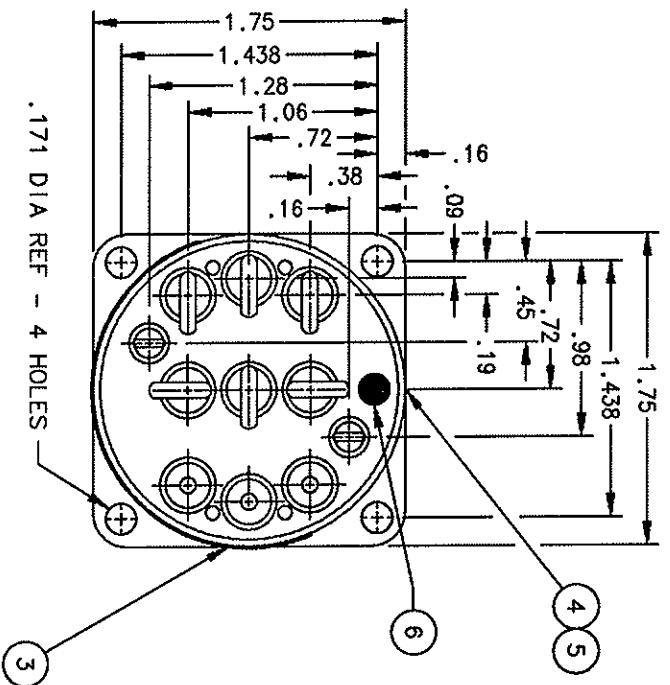
MAX WEIGHT 7-1/2 OZ

ALTITUDE 80, 000 FT

TEMP RANGE -65°C TO +85°C

MIN OPER CYCLES 50, 000

SHOCK 25G



NOTE:

COIL TRANSIENT VOLTAGE LIMITED TO ± 42 VOLTS REFERENCED TO ZERO VOLTS

QTY	PART OR IDENTIFYING NO	DESCRIPTION	MATERIAL OR NOTE
6	AR 54102-001	RED ENAMEL PAINT DOT/GLYPTOL	
5	2 39529-001	OVERLAY	
4	1 16043-038	PLATE-NAME	
3	1 17959-001	PLATE-WARNING	
2	1 34753-001	PLATE-WIRING DIAGRAM	
1	1 20473-080	CONTACTOR ASSY-PRIMARY	

UNLESS OTHERWISE SPECIFIED DIMENSIONS ARE IN INCHES TOLERANCES ON		HARTMAN ELECTRICAL MANUFACTURING MANSFIELD, OHIO	
2 PL DEC. IS PL DEC. ANGLES		DIR BY	RLS 97/11/06
* .03	* .010	CHK BY	ES 97/11/06
		ENGR	ES 97/11/06
		MFG	97/11/06
		RELEASE	
		CONTR NO.	
		COIT APPVL	

SIZE	CODE IDENT	DWG NO.
C	74063	DH-14 CE
SCALE	NONE	SHEET