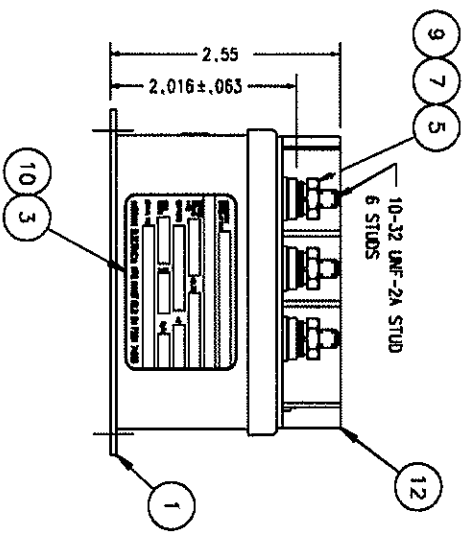
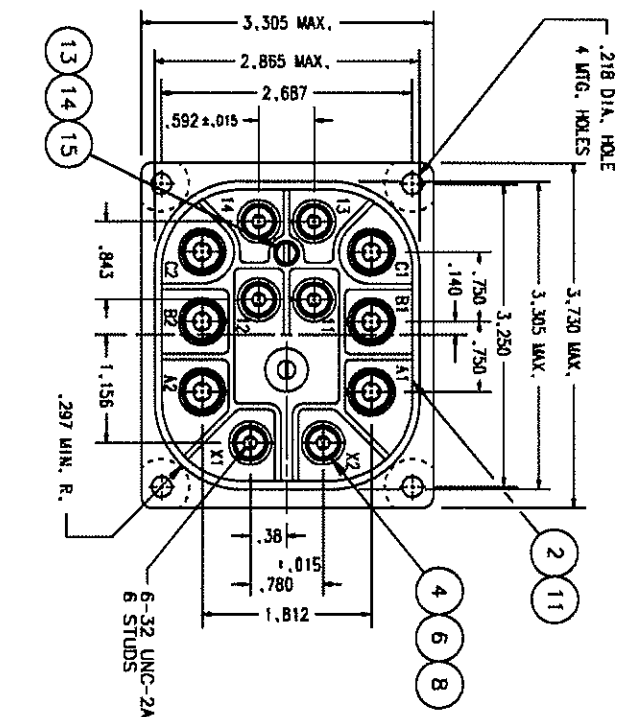


REV#	DESCRIPTION	DATE	APPROVED
A	42399 RELEASED: UNDATED PARTS LIST	00-05-08	RS
B	45343 REQUIRED MAX FROM 2.55 DIA	01/09/20	CC
C	0361-03 WEIGHT WAS 1.20 LBS. MAX	03/04/02	CC



CONSTRUCTION
CONTACT CONFIGURATION

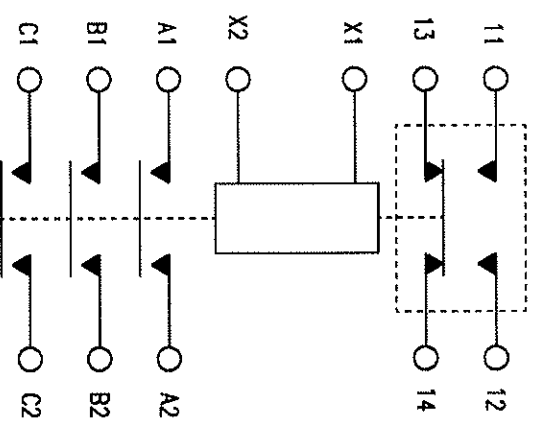
CONTACT RATING
VOLTAGE
CURRENT AT 125° C
CONTINUOUS
INTERMITTENT

HERMETIC SEALED
MAINS 3 P S 1 N O
AUX. 1 N.O., 1 N.C.

MAX. INRUSH
COIL DATA
RATING
NOMINAL VOLTAGE
PICKUP VOLTAGE
DROPOUT VOLTAGE
CURRENT AT 29 VDC
OPERATE TIME AT 25°C & 28 VDC
CLOSE TIME
RELEASE TIME
IMPACT SHOCK
ACCELERATION
AMBIENT TEMPERATURE
LIFE ELECTRICAL
LIFE MECHANICAL
WEIGHT

115/200 VAC 400 HZ
50 AMPS RESISTIVE
64 AMPS 15 MIN.
75 AMPS 5 MIN.
100 AMPS 1 MIN.
300 AMPS

CONTINUOUS DUTY
28 VDC
18 VDC MAX.
1.5 - 7 VDC
0.5 AMPS MAX.
0.025 SECONDS MAX.
0.010 SECONDS MAX.
50 G'S
15 G'S
-55°C TO +125°C
100,000 CYCLES
200,000 CYCLES
1.30 LBS. MAX.



15	1	51804-011	WASHER LOCK NO. 4 SPLIT	BRONZE		
14	1	51702-121	WASHER FLAT 1/4 X .130 X .020	BRASS		
13	1	51214-110	SCREW 4-40 X 1/2 PAN HD.	ST STL		
12	1	45036-001	SHIELD - TERMINAL			
11	1	39529-007	OVERLAY			
10	1	39529-001	OVERLAY			
9	6	51810-054	WASHER LOCK NO. 10 SPLIT	BRONZE		
8	6	51806-014	WASHER LOCK NO. 6 SPLIT	BRONZE		
7	12	51702-844	WASHER FLAT 3/8 X 13/64 X .032	BRASS		
6	12	51702-204	WASHER FLAT 3/8 X 9/64 X .032	BRASS		
5	6	50410-084	NUT 10-32 X 3/8 X 1/8 HEX	BRASS		
4	6	50406-064	NUT 6-32 X 5/16 X 7/64 HEX	BRASS		
3	1	16043-001	PLATE-NAME			
2	1	42405-001	PLATE-WIRING DIAGRAM			
1	1	42300-040	CONTACTOR ASSEMBLY-PRI.			
FIND NO.	QTY	PART OR IDENTIFYING NO.	NOMENCLATURE OR DESCRIPTION	FSCAL NO.	DRAWING OR SPECIFICATION	MATERIAL OR NOTE

TYCO Electronics
18 Horton Division, 175 N. Diamond Street, Mansfield, Ohio 44902

RELAY - 50 AMP, 115 VAC
400 HZ OR 28 VDC 093
BH-316D

2 PL. DEC 3 PL. DEC. ANGLES
SCALE NONE SHEET

UNLESS OTHERWISE SPECIFIED
DIMENSIONS ARE IN INCHES
TOLERANCES IN

DR BY	CSC	03/04/22
CHK BY	CC	03/04/23
ENGR	WDB	03-04-24
MFG	WFS	03-04-24
SIZE	GRADE IDENT	
		74063

DWG NO. BH-316D
REF TYCO P/N 0-1616008-6