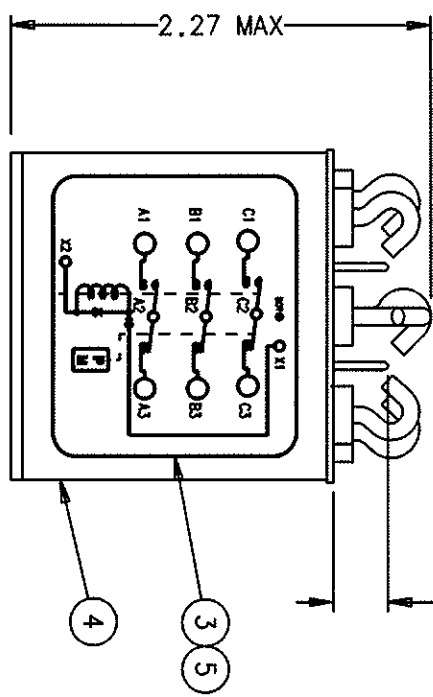
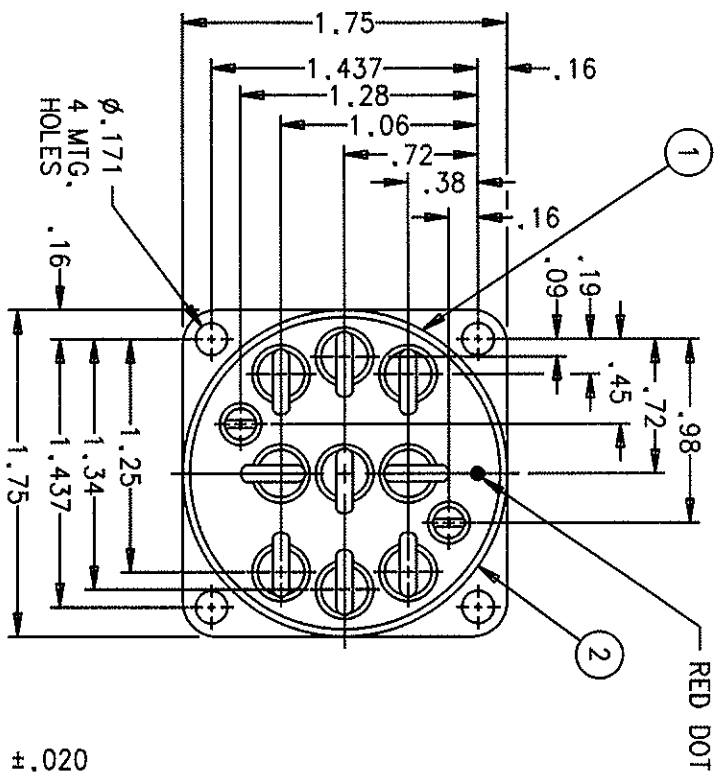


REV.	RELEASED	DATE	APPROVED
1		03/08/23	

REVISIONS

REV. K
 SIM
 DESCRIPTION
 K 0740-03 REDRAWN, ADDED ITEM 5



CONSTRUCTION
 NOMINAL VOLTAGE
 CONTACT RATING
 RES.
 RES.
 IND.

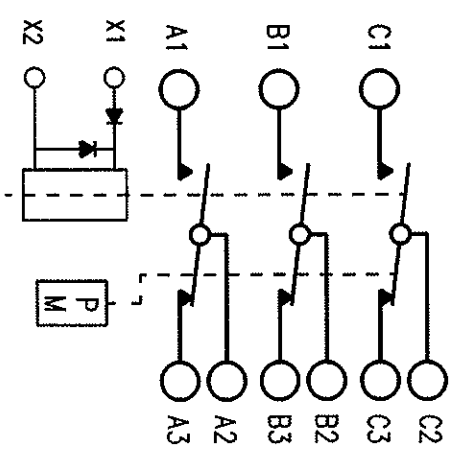
HERMETICALLY SEALED
 115 V, 400 HZ
 25 AMP AT 115 V, 400 HZ
 10 AMP AT 28 VDC
 15 AMP AT 115 V, 400HZ

COIL RATING
 PICKUP
 DROPOUT

115V, 400 HZ
 95 V MAX HOT
 25 ±15V HOT

RATED DUTY
 VIBRATION
 MAX WEIGHT

CONTINUOUS
 MIL-E-5272 PROC 1
 7.5 OZ.



REV	QTY	PART OR IDENTIFYING NO	DESCRIPTION	NONCANTILEVER OR DESCRIPTION	FSM NO	DRAWING OR SPECIFICATION	MATERIAL OR NOTE
5	1	30529-001	OVERLAY - WIRING DIAGRAM				
4	1	20473-0501	CONTACTOR ASSEMBLY - PRIMARY				
3	1	19488-001	PLATE - WIRING DIAGRAM				
2	1	17959-001	PLATE - WARNING				
1	1	16043-001	PLATE - NAME				

UNLESS OTHERWISE SPECIFIED DIMENSIONS ARE IN INCHES TOLERANCES ARE		±1*
2 PL DEC.13 PL DEC. ANGLES	±.03	±.010
MATERIAL		
DR BY	CSC	03/09/16
CHK BY	TC	03/09/18
ENGR	ES	03/09/18
MFG	JH	03/09/18
SIZE	CODE IDENT	
C	74063	
SCALE NONE SHEET		

TYCO Electronics	
14000 Northpark Blvd., Suite 175 N. Diamond Street, Mansfield, OH 44922	
CONTACTOR - 3PDT	
HERMETICALLY SEALED 093	
DWG NO.	DHR-14B
REF TYCO P/N	1-1616037-2