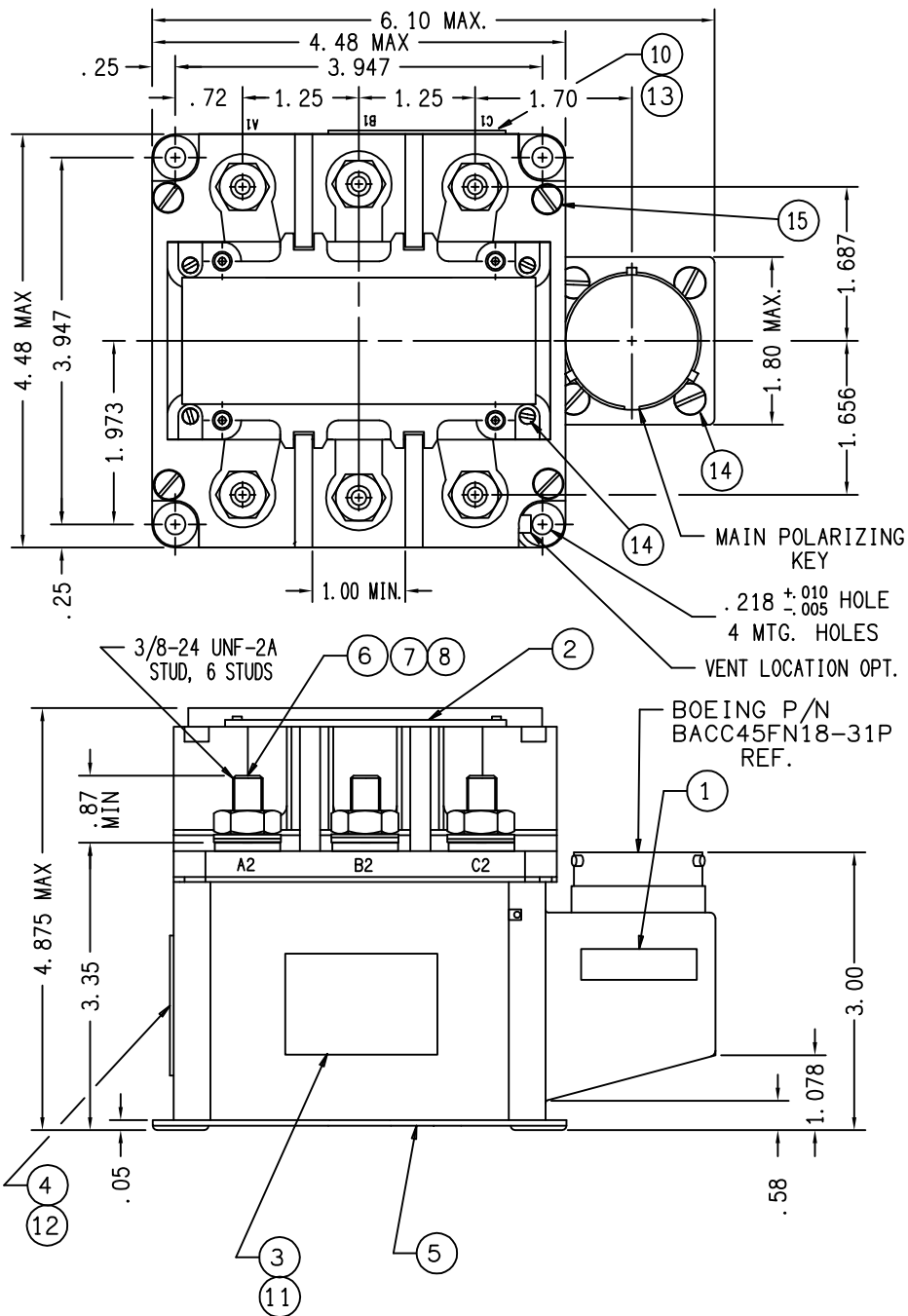


- NOTES:
 1. TERMINAL COVER ITEM NO. 2 REMOVED FROM TOP VIEW.
 2. MOUNTING SURFACE SHALL PROVIDE ELECTRICAL GROUND.
 3. FAA/PMA PLATE (AND OVERLAY) NOT REQUIRED ON UNITS SUPPLIED TO ORIGINAL EQUIPMENT MANUFACTURERS.

FAA-PMA

| REVISIONS | | RELEASED | APPROVED |
|-----------|--|----------|----------|
| REV | DESCRIPTION | DATE | |
| R | 24520 ADD ITEMS 11 THRU 15 | 93/09/07 | WS |
| T | 25900 ADDED DASH NOS TO FIND NOS 11, 12, & 13 | 94/04/22 | RS |
| U | 35452 NOTE 3 ADDED | 98/05/04 | RS |
| V | 39518 "BOEING" ADDED TO VIB SPEC & CONNECTOR P/N, 4.48 MAX WAS 4.45, 4.875 WAS 5.025 | 99/05/11 | RS |
| W | 12-003359 MAX WEIGHT WAS 3.85 LBS | 12/01/27 | CB |



CONSTRUCTION

MAIN CONTACTS
 CONFIGURATION
 VOLTAGE
 CURRENT RES.
 RES.

GASKET SEALED (VENTED)

3 PST N.O. (DOUBLE BREAK)
 115/200 VOLTS FREQ. 400 HZ
 260 AMP 115/200 VAC CONTINUOUS
 350 AMP 115/200 VAC 15 SEC
 2000 AMP

INTERRUPT
 AUXILIARY CONTACTS
 CONFIGURATION
 VOLTAGE
 CURRENT

5 SPST N.O., 9 SPST N.C.
 AMPS. 1 AMP 7.5 AMP
 VOLTS 240 VAC 400 HZ 30 VDC

COIL DATA
 DUTY CYCLE
 OPERATING VOLTAGE
 PICKUP
 PICKUP MAX.
 NOMINAL
 DROPOUT

CONTINUOUS (ECONOMIZING)
 18 TO 30 VDC
 18 VOLTS
 28 VOLTS
 1 TO 7 VDC

RESISTANCE PICKUP
 HOLD

10 OHMS MIN.
 50 OHMS MIN.

ENVIRONMENTAL DATA
 OPERATING TEMP.
 VIBRATION

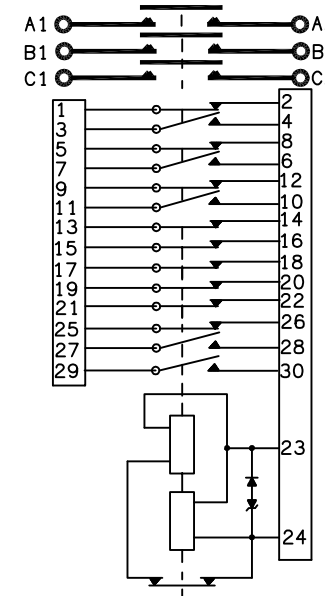
-54°C MIN. +71°C MAX.
 PER BOEING D6-13014, AREA 1. CAT. A

SHOCK
 ALTITUDE
 OPERATING TIME
 PICKUP
 DROPOUT

PER MIL-E-5272 PROC. V
 50,000 FT. MAXIMUM
 50 MSEC MAX. AT 18VDC TO 30VDC
 50 MSEC MAX. AT 30VDC

LIFE ELECTRICAL
 LIFE MECHANICAL
 WEIGHT MAX.

50,000 CYCLES MIN.
 100,000 CYCLES MIN.
 4.00 LBS. MAX



| | | | | | | |
|---------|----------|------------------------|-----------------------------------|-------------|--------------------------|------------------|
| 15 | AR | 54100-001 | SILASTIC | | | |
| 14 | AR | 54102-001 | GLYPTOL | | | |
| 13 | 1 | 39529-024 | OVERLAY-FAA/PMA | | | |
| 12 | 1 | 39529-049 | OVERLAY-WIRING DIAGRAM | | | |
| 11 | 1 | 39529-009 | OVERLAY-NAME PLATE | | | |
| 10 | 1 | 58400-029 | PLATE-FAA/PMA | | | |
| 9 | | | | | | |
| 8 | 6 | 51807-230 | WASHER-LOCK, .375 X.687C .094 SPT | MS35338-141 | | ST. STEEL |
| 7 | 6 | 51704-010 | WASHER, .390 X.625 X.032 FL. | AN960C616L | | ST. STEEL |
| 6 | 6 | 50407-370 | NUT, 3/8-24 X .562 X .328 | MS51972-3 | | ST. STEEL |
| 5 | 1 | 36909-010 | CONTACTOR ASSEMBLY-PRI. | | | |
| 4 | 1 | 36908-001 | PLATE-WIRING DIAGRAM | | | |
| 3 | 1 | 36907-001 | PLATE-NAME | | | |
| 2 | 2 | 36456-010 | TERMINAL COVER | | | |
| 1 | 1 | 25695-001 | WARNING PLATE | | | |
| FIND NO | QTY REQD | PART OR IDENTIFYING NO | NOMENCLATURE OR DESCRIPTION | FSCM NO | DRAWING OR SPECIFICATION | MATERIAL OR NOTE |

UNLESS OTHERWISE SPECIFIED DIMENSIONS ARE IN INCHES TOLERANCES ON

2 PL DEC. 3 PL DEC. ANGLES
 ±.06 ±.010 ±1°

REF BOEING 60B40021-3

DR BY RLS 99/05/27
 CHK BY RS 99/05/27
 ENGR WER 99/05/27
 MFG MB 99/05/28

SIZE C CODE IDENT 74063

SCALE NONE SHEET

TE
 Hartman Division 175 N. DIAMOND STREET MANSFIELD, OHIO 44902

CONTACTOR-3PST N. O.
 260 AMP 115/200V 400HZ₀₉₃

DWG NO. B-429W

REF TE P/N 1616005-6